

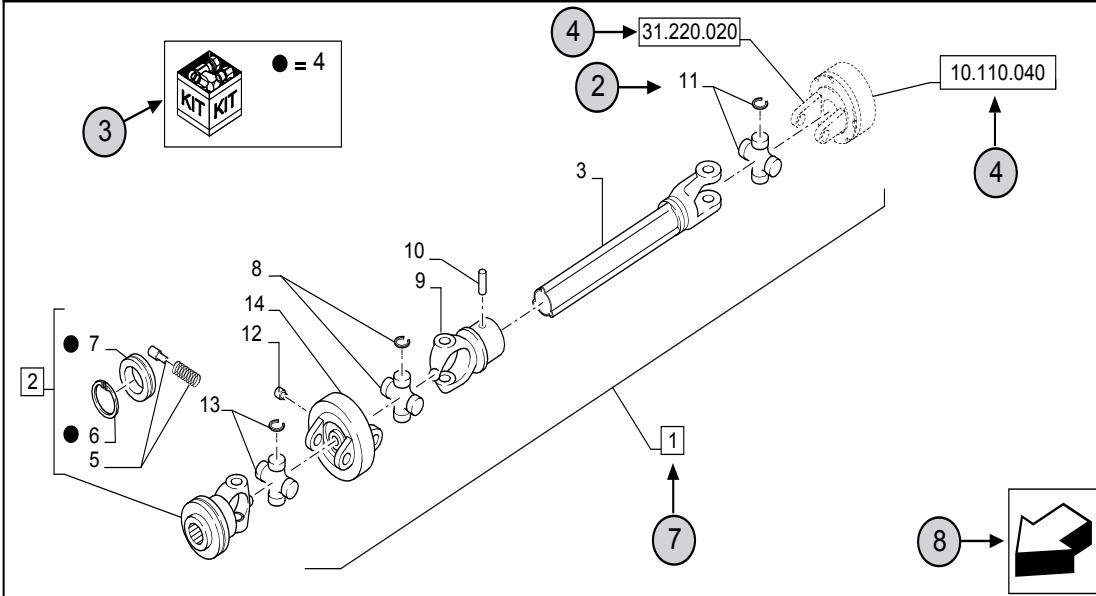
All rights reserved by **CNH Industrial**.

The information contained in this catalogue is intended to be of a general nature only. **CNH Industrial** may at any time and from time to time, for technical or other necessary reasons, modify any of the details or specifications of the product described in this catalogue.

To be sure of getting accurate, detailed and up-to-date information, an intending buyer should consult his nearest **CNH Industrial** dealer or distributor.

Single item numeration method used in this catalogue may not be used without written consent from **CNH Industrial**

VAR - 123782, 789101,987654 - PTO - D650




STANDARD ← (6)

VAR - 123782, 789101,987654 - PTO - D650

(11) (12) (13) (14)

REF	FN	PART NUMBER	YR/SN	QTY	DESCRIPTION
1	1	86529340	(20)	1	SHAFT PTO, Incl 2 - 11
2	(15)	84014007		1	YOKE, Incl 4 - 7 ← (7)
3	(16)	NSS		1	NOT SERVICED SEPARATELY, SHAFT, 350mm, Incl in 1
4		84004292		1	KIT, Seal Kit, Incl 6, 7 (17)
4		{84058743}		1	KIT, Seal Kit, Incl 6, 7
(2)	(18)	(19)		(21)	(22)
		1 = FOR ITALY ONLY ← (5)			

MODELS ← (1)

- 1 Model Number and Model Description
- 2 Reference - Figure call-out of the part number.
- 3 Parts supplied in repair kits per symbol reference.
- 4 31.220.020 Part illustrated on the **Page** or in the **Figure** indicated, or calls for **Variations** or **Details**. Indicates components shown in detail elsewhere in the catalogue under the figure number shown.
- 5 Footnote references
- 6 Figure notes
- 7 1 2 Includes item(s) ..... (See Description within partlist).
- 8 Orientation. (Arrow indicates front of the machine). 
- 9 Figure description.
- 10 General information of the figure.
- 11 Figure title number that aligns with the SRT. Standard Repair Time.
- 12 **Sequence** code within the assembly.
- 13 Page number within the sequence code.
- 14 **Date** of printing or updating of page (month-year).
- 15 **Note** - Relating to the Part Number. There is a key to symbols and abbreviations at the bottom of the text page.
- 16 Non-serviced parts.
- 17 Further description of the part to help confirm identification.
- 18 Not available as service part.
- 19 Part Number.
- 20 To be defined.
- 21 Total **Quantity** of the Part referred to in the page.  
The quantity can be replaced by the following indications:  
**AR** = quantity as requested.
- 22 Part **Description**.
- 23 Variant Codes

---

## TABLE OF CONTENTS

---

00.000.00		PICTORIAL INDEX - MAIN SECTIONS
00.000.05		PICTORIAL INDEX - MACHINE COMPLETION AND EQUIPMENT
00.000.10	01	PICTORIAL INDEX - ENGINE
00.000.10	02	PICTORIAL INDEX - ENGINE
00.000.18		PICTORIAL INDEX - CLUTCH
00.000.21	01	PICTORIAL INDEX - TRANSMISSION
00.000.21	03	PICTORIAL INDEX - TRANSMISSION
00.000.21	05	PICTORIAL INDEX - TRANSMISSION
00.000.21	06	PICTORIAL INDEX - TRANSMISSION
00.000.25	01	PICTORIAL INDEX - FRONT AXLE SYSTEM
00.000.25	02	PICTORIAL INDEX - FRONT AXLE SYSTEM
00.000.25	03	PICTORIAL INDEX - FRONT AXLE SYSTEM
00.000.25	04	PICTORIAL INDEX - FRONT AXLE SYSTEM
00.000.25	05	PICTORIAL INDEX - FRONT AXLE SYSTEM
00.000.25	06	PICTORIAL INDEX - FRONT AXLE SYSTEM
00.000.27		PICTORIAL INDEX - REAR AXLE SYSTEM
00.000.31	01	PICTORIAL INDEX - IMPLEMENT POWER TAKE-OFF
00.000.31	02	PICTORIAL INDEX - IMPLEMENT POWER TAKE-OFF
00.000.31	03	PICTORIAL INDEX - IMPLEMENT POWER TAKE-OFF
00.000.31	04	PICTORIAL INDEX - IMPLEMENT POWER TAKE-OFF
00.000.33	01	PICTORIAL INDEX - BRAKES & CONTROLS
00.000.33	02	PICTORIAL INDEX - BRAKES & CONTROLS
00.000.33	03	PICTORIAL INDEX - BRAKES & CONTROLS
00.000.33	04	PICTORIAL INDEX - BRAKES & CONTROLS
00.000.35	01	PICTORIAL INDEX - HYDRAULIC SYSTEMS
00.000.35	02	PICTORIAL INDEX - HYDRAULIC SYSTEMS
00.000.35	03	PICTORIAL INDEX - HYDRAULIC SYSTEMS
00.000.35	04	PICTORIAL INDEX - HYDRAULIC SYSTEMS
00.000.35	05	PICTORIAL INDEX - HYDRAULIC SYSTEMS
00.000.35	06	PICTORIAL INDEX - HYDRAULIC SYSTEMS
00.000.35	08	PICTORIAL INDEX - HYDRAULIC SYSTEMS
00.000.37	01	PICTORIAL INDEX - HITCHES, DRAWBARS AND IMPLEMENT COUPLINGS
00.000.37	02	PICTORIAL INDEX - HITCHES, DRAWBARS AND IMPLEMENT COUPLINGS
00.000.37	03	PICTORIAL INDEX - HITCHES, DRAWBARS AND IMPLEMENT COUPLINGS
00.000.37	04	PICTORIAL INDEX - HITCHES, DRAWBARS AND IMPLEMENT COUPLINGS
00.000.37	05	PICTORIAL INDEX - HITCHES, DRAWBARS AND IMPLEMENT COUPLINGS

---

## TABLE OF CONTENTS

---

00.000.37	06	PICTORIAL INDEX - HITCHES, DRAWBARS AND IMPLEMENT COUPLINGS
00.000.39	01	PICTORIAL INDEX - FRAMES AND BALLASTING
00.000.41	01	PICTORIAL INDEX - STEERING
00.000.41	02	PICTORIAL INDEX - STEERING
00.000.44	01	PICTORIAL INDEX - WHEELS, FRONT
00.000.44	02	PICTORIAL INDEX - WHEELS, REAR
00.000.50	01	PICTORIAL INDEX - CAB CLIMATE CONTROL
00.000.50	02	PICTORIAL INDEX - CAB CLIMATE CONTROL
00.000.55	01	PICTORIAL INDEX - ELECTRICAL SYSTEMS
00.000.55	02	PICTORIAL INDEX - ELECTRICAL SYSTEMS
00.000.55	03	PICTORIAL INDEX - ELECTRICAL SYSTEMS
00.000.55	04	PICTORIAL INDEX - ELECTRICAL SYSTEMS
00.000.55	05	PICTORIAL INDEX - ELECTRICAL SYSTEMS
00.000.55	06	PICTORIAL INDEX - ELECTRICAL SYSTEMS
00.000.55	07	PICTORIAL INDEX - ELECTRICAL SYSTEMS
00.000.55	08	PICTORIAL INDEX - ELECTRICAL SYSTEMS
00.000.88		PICTORIAL INDEX - ACCESSORIES
00.000.90	01	PICTORIAL INDEX - PLATFORM, CAB, BODYWORK AND DECALS
00.000.90	02	PICTORIAL INDEX - PLATFORM, CAB, BODYWORK AND DECALS
00.000.90	03	PICTORIAL INDEX - PLATFORM, CAB, BODYWORK AND DECALS
00.100.01	01	IDENTIFICATION PLATES AND VERSION LIST
00.100.04	01	OPTIONAL EQUIPMENT
00.100.04	02	OPTIONAL EQUIPMENT
00.100.04	03	OPTIONAL EQUIPMENT
00.100.04	04	OPTIONAL EQUIPMENT
00.100.04	05	OPTIONAL EQUIPMENT
05.000.00		SECTION INDEX - MACHINE COMPLATION AND EQUIPMENT
05.100.01		INITIAL STOCKING LIST (LIST A)
05.100.02		INITIAL STOCKING LIST (LIST B)
05.100.03		CAPACITIES
05.100.04	01	MAINTENANCE PARTS - FILTERS
05.100.04	02	MAINTENANCE PARTS - STARTER MOTOR, ALTERNATOR, BELTS
05.100.04	03	MAINTENANCE PARTS - FUSES
05.100.04	04	MAINTENANCE PARTS - BULBS
05.100.04	05	MAINTENANCE PARTS - PUMPS
10.000.00	01	SECTION INDEX - ENGINE

---

## TABLE OF CONTENTS

---

10.000.00	02	SECTION INDEX - ENGINE
10.001.AD		VAR - 391130, 758000 - ENGINE, ASSY
10.103.AH		VAR - 391130, 758000 - ENGINE FLYWHEEL
10.202.AB		VAR - 391130, 758000 - AIR CLEANER, COMPONENTS
10.202.AH	01	VAR - 391130, 758000 - AIR CLEANER, SUPPORT - END YR 08-MAY-2014
10.202.AH	01A	VAR - 391130, 758000 - AIR CLEANER, SUPPORT - BEGIN YR 09-MAY-2014
10.202.AK		VAR - 391130, 758000 - AIR CLEANER, LINES
10.206.AG	01	FUEL FILTER, SUPPORT
10.206.AG	02	VAR - 758223, 758235, 758240, 758241, 758250 - FUEL FILTER, SUPPORT
10.206.AG	03	FUEL FILTER, COMPONENTS
10.216.AI	01	VAR - 391131, 758001 - FUEL TANK
10.216.AI	02	VAR - 391131, 758001 - FUEL TANK, COMPONENTS
10.216.AI	03	VAR - 391131, 758001 - FUEL TANK, RH, COMPONENTS
10.216.AI	04	VAR - 391131, 758001 - FUEL TANK, ASSY
10.216.AI	05	VAR - 391131, 758001 - FUEL TANK, COVERS
10.216.AI	06	VAR - 391131 - FUEL TANK, SUPPORT
10.216.AI	07	VAR - 758001 - FUEL TANK, SUPPORT
10.216.AI	08	VAR - 391131, 758001 - FUEL TANK, SUPPORT, RH
10.216.AI	09	VAR - 758001 - FUEL TANK, SHIELD, RH
10.216.AI	10	VAR - 335491 - FUEL TANK, SUPPORT
10.216.AI	11	VAR - 335492 - FUEL TANK, SUPPORT
10.216.AI	12	VAR - 335491, 335492 - FUEL TANK, SUPPORT, RH
10.216.AI	13	VAR - 335492 - FUEL TANK, SHIELD, RH
10.216.AX		VAR - 758223, 758235, 758240, 758241, 758250 - FUEL COOLER
10.216.AY		VAR - 758223, 758235, 758240, 758241, 758250 - FUEL COOLER, LINES
10.216.BA	01	FUEL TANK, LINES
10.216.BA	02	VAR - 758223, 758235, 758240, 758241, 758250 - FUEL TANK, LINES
10.254.AD	01	VAR - 391130, 758000 - EXHAUST SYSTEM PIPE, VERTICAL
10.254.AD	02	VAR - 391209, 758197, 758198 - EXHAUST SYSTEM PIPE, COVERS
10.254.AD	03	VAR - 391209 - EXHAUST SYSTEM PIPE, COVERS
10.254.AD	04	VAR - 758197, 758198 - EXHAUST SYSTEM PIPE, COVERS
10.254.AI	02	VAR - 391130, 758000 - EXHAUST SYSTEM, MUFFLER - END YR 07-JAN-2014
10.254.AI	02A	VAR - 391130, 758000 - EXHAUST SYSTEM, MUFFLER - BEGIN YR 8-JAN-2014
10.254.AZ		VAR - 758005 - EXHAUST BRAKE, PEDAL
10.310.AA	01	VAR - 391130 - INTERCOOLER, COMPONENTS
10.310.AB		VAR - 391130, 758000 - INTERCOOLER LINE

---

## TABLE OF CONTENTS

---

10.400.AY		VAR - 391130, 758000 - RADIATOR, HOSE
10.400.BE		VAR - 391130, 758000 - RADIATOR
10.400.BF	01	VAR - 391130 - FAN, SHROUD
10.400.BF	02	VAR - 758000 - FAN, SHROUD
10.400.BF	03	VAR - 391130, 758000 - RADIATOR, SEAL
10.400.BF	04	VAR - 391130, 758000 - RADIATOR, SUPPORT
10.400.BF	05	VAR - 391156, 758047 - RADIATOR, BAFFLE
10.400.BF	06	VAR - 758045, 758046 - RADIATOR, BAFFLE
10.400.BH		VAR - 391130, 758000 - EXPANSION TANK
10.414.AC	01	VAR - 391130 - FAN
10.414.AC	02	VAR - 758000 - REVERSIBLE FAN, COMPONENTS
10.414.AD	01	VAR - 391130 - FAN, PULLEY
10.414.AD	02	VAR - 758000 - FAN, PULLEY
10.414.AQ		VAR - 758000 - REVERSIBLE FAN
10.414.BE	01	VAR - 391130 - FAN, BELT
10.414.BE	02	VAR - 758000 - FAN, BELT
10.500.AA		VAR - 391131, 758001 - DEF/ADBLUE TANK, COMPONENTS
10.500.AD	01	VAR - 391130, 758000 - DEF/ADBLUE, LINES
10.500.AD	02	VAR - 391130, 758000 - DEF/ADBLUE, LINES - END YR 20-FEB-2014
10.500.AD	02A	VAR - 391130, 758000 - DEF/ADBLUE, LINES - BEGIN YR 21-FEB-2014
10.500.AG		VAR - 391130, 758000 - DEF/ADBLUE, LINES
10.500.AR		VAR - 391131, 758001 - HEATER VALVE
10.501.AD	02	VAR - 391130, 758000 - EXHAUST SYSTEM, CATALYTIC
18.000.00		SECTION INDEX - CLUTCH
18.100.AF	02	VAR - 391136, 758011, 758012, 758013, 758014, 758015, 758016, 758017, 758018, 758019, 758020, 758021 - CLUTCH, PEDAL
21.000.00	01	SECTION INDEX - TRANSMISSION
21.000.00	03	SECTION INDEX - TRANSMISSION
21.000.00	05	SECTION INDEX - TRANSMISSION
21.000.00	06	SECTION INDEX - TRANSMISSION
21.105.AI	01	VAR - 758011, 758012, 758013, 758014, 758015, 758016, 758017, 758018, 758019, 758020, 758021 - VALVE, LUBRICATION LINE
21.105.AI	02	VAR - 758011, 758012, 758013, 758014, 758015, 758016, 758017, 758018, 758019, 758020, 758021 - VALVE, LUBRICATION LINE
21.105.BL	01	VAR - 391136, 758011, 758012, 758013, 758014, 758015, 758016, 758017, 758018, 758019, 758020, 758021 - TRANSMISSION LUBRICATION LINE
21.109.AD	01	VAR - 391136, 758011, 758012, 758013, 758014, 758015 - TRANSMISSION, OIL COOLER, LINE
21.109.AD	02	VAR - 758016, 758017, 758018, 758019, 758020, 758021 - TRANSMISSION, OIL COOLER, LINE
21.109.AD	03	VAR - 391136, 758011, 758012, 758013, 758014, 758015, 758016, 758017, 758018, 758019, 758020, 758021 - TRANSMISSION, OIL COOLER, LINE

---

## TABLE OF CONTENTS

---

21.109.AD	04	VAR - 391136, 758011, 758012, 758013, 758014, 758015 - TRANSMISSION, OIL COOLER, LINE
21.118.AF	01	VAR - 391136, 758011, 758012, 758013, 758014, 758015, 758016, 758017, 758018, 758019, 758020, 758021 - TRANSMISSION HOUSING, POWERSHIFT
21.118.AF	02	VAR - 391136, 758011, 758016, 758017 - TRANSMISSION HOUSING, POWERSHIFT
21.118.AF	03	VAR - 758012, 758013, 758014, 758015, 758018, 758019, 758020, 758021 - TRANSMISSION HOUSING, POWERSHIFT
21.118.AJ	01	VAR - 758007 - TRANSMISSION OIL, HEATER (110V)
21.118.AJ	02	VAR - 758008 - TRANSMISSION OIL, HEATER (240V)
21.120.AB	01	VAR - 758016, 758017, 758018, 758019, 758020, 758021 - GEARBOX, POWERSHIFT
21.120.AB	02	VAR - 758016, 758017, 758018, 758019, 758020, 758021 - GEARBOX, POWERSHIFT
21.120.AB	03	VAR - 758016, 758017, 758018, 758019, 758020, 758021 - GEARBOX, POWERSHIFT
21.120.AB	04	VAR - 391136, 758011, 758012, 758013, 758014, 758025 - GEARBOX, POWERSHIFT
21.120.AB	07	VAR - 391130, 758000 - GEARBOX, PIN
21.133.AK	01	VAR - 391136, 758011, 758012, 758013, 758014, 758015 - TRANSMISSION CONTROL VALVE, SEMI-POWERSHIFT
21.133.AK	02	VAR - 391136, 758011, 758012, 758013, 758014, 758015 - TRANSMISSION CONTROL VALVE, COMPONENTS, SEMI-POWERSHIFT
21.133.AK	03	VAR - 758016, 758017, 758018, 758019, 758020, 758021 - TRANSMISSION CONTROL VALVE, FULL-POWERSHIFT
21.133.AK	04	VAR - 758016, 758017, 758018, 758019, 758020, 758021 - TRANSMISSION CONTROL VALVE, COMPONENTS, FULL-POWERSHIFT
21.140.AM	02	VAR - 391136, 758011, 758012, 759013, 759014, 759015 - CENTRAL REDUCTION GEAR, CONTROLS
21.148.AC	03	VAR - 391136, 758011, 758012, 758013, 758014, 758015, 758016, 391137, 758017, 758018, 758019, 758020, 758021 - CENTRAL REDUCTION GEAR, SHIM, POWERSHIFT
21.148.AC	03	VAR - 391136, 758011, 758012, 758013, 758014, 758015, 758016, 758017, 758018, 758019, 758020, 758021 - CENTRAL REDUCTION GEAR, SHIM, POWERSHIFT
21.148.AC	04	VAR - 391136, 391137, 758011, 758012, 758013, 758014, 758015, 758016, 391137, 758017, 758018, 758019, 758020, 758021 - CENTRAL REDUCTION GEAR, SHIM, POWERSHIFT
21.148.AC	04	VAR - 391136, 758011, 758012, 758013, 758014, 758015, 758016, 758017, 758018, 758019, 758020, 758021 - CENTRAL REDUCTION GEAR, SHIM, POWERSHIFT
21.148.AC	05	VAR - 391139, 758023, 758024, 758031 - CENTRAL REDUCTION GEAR, PINION SHAFT, POWERSHIFT
21.148.AC	05	VAR - 391139, 758023, 758024, 758031 - CENTRAL REDUCTION GEAR, PINION SHAFT, POWERSHIFT
21.152.AA	01	VAR - 391136, 758011 - TRANSMISSION, FRONT COVER, MANIFOLD
21.152.AA	02	VAR - 391136, 758011 - TRANSMISSION, CLUTCH
21.152.AA	03	VAR - 391136, 758011 - TRANSMISSION, CLUTCH
21.152.AA	04	VAR - 391136, 758011 - TRANSMISSION, DRIVE SHAFT, UPPER
21.152.AA	05	VAR - 391136, 758011 - TRANSMISSION, DRIVE SHAFT, CLUTCH
21.152.AA	06	VAR - 391136, 758011 - TRANSMISSION, CLUTCH
21.152.AA	07	VAR - 391136, 758011 - TRANSMISSION, GEAR
21.152.AA	08	VAR - 391136, 758011 - TRANSMISSION, SHIM
21.152.AA	09	VAR - 391136, 758011 - TRANSMISSION, SHIM
21.152.AA	10	VAR - 758012, 758013, 758014, 758015 - TRANSMISSION, FRONT COVER, MANIFOLD
21.152.AA	11	VAR - 758012, 758013, 758014, 758015 - TRANSMISSION, CLUTCH
21.152.AA	12	VAR - 758012, 758013, 758014, 758015 - TRANSMISSION, CLUTCH



---

## TABLE OF CONTENTS

---

21.152.AA	13	VAR - 758012, 758013, 758014, 758015 - TRANSMISSION, DRIVE SHAFT, UPPER
21.152.AA	14	VAR - 758012, 758013, 758014, 758015 - TRANSMISSION, DRIVE SHAFT, CLUTCH
21.152.AA	15	VAR - 758012, 758013, 758014, 758015 - TRANSMISSION, CLUTCH
21.152.AA	16	VAR - 758012, 758013, 758014, 758015 - TRANSMISSION, GEAR
21.152.AA	17	VAR - 758012, 758013, 758014, 758015 - TRANSMISSION, SHIM
21.152.AA	18	VAR - 758012, 758013, 758014, 758015 - TRANSMISSION, SHIM
21.152.AK	01	VAR - 391136, 758011 - TRANSMISSION, INPUT SHAFT, SEMI POWERSHIFT
21.152.AK	02	VAR - 758012, 758013, 758014, 758015 - TRANSMISSION, INPUT SHAFT, SEMI POWERSHIFT
21.155.AA	01	VAR - 758016, 758017, 758018, 758019, 758020, 758021 - TRANSMISSION, FRONT COVER, MANIFOLD
21.155.AA	02	VAR - 758016, 758017, 758018, 758019, 758020, 758021 - TRANSMISSION, CLUTCH
21.155.AA	03	VAR - 758016, 758017, 758018, 758019, 758020, 758021 - TRANSMISSION, CLUTCH
21.155.AA	04	VAR - 758016, 758017, 758018, 758019, 758020, 758021 - TRANSMISSION, DRIVE SHAFT, UPPER
21.155.AA	05	VAR - 758016, 758017, 758018, 758019, 758020, 758021 - TRANSMISSION, DRIVE SHAFT, CLUTCH
21.155.AA	06	VAR - 758016, 758017, 758018, 758019, 758020, 758021 - TRANSMISSION, CLUTCH
21.155.AA	07	VAR - 758016, 758017, 758018, 758019, 758020, 758021 - TRANSMISSION, GEAR
21.155.AA	08	VAR - 758016, 758017, 758018, 758019, 758020, 758021 - TRANSMISSION, SHIM
21.155.AA	09	VAR - 758016, 758017, 758018, 758019, 758020, 758021 - TRANSMISSION, SHIM
21.155.AA	10	VAR - 758016, 758017, 758018, 758019, 758020, 758021 - CENTRAL REDUCTION GEAR, RANGE GEAR
21.155.AA	11	VAR - 758016, 758017, 758018, 758019, 758020, 758021 - CENTRAL REDUCTION GEAR, SHIM
21.155.AA	12	VAR - 758016, 758017, 758018, 758019, 758020, 758021 - CENTRAL REDUCTION GEAR, SHIM
21.155.AA	13	VAR - 758016, 758017, 758018, 758019, 758020, 758021 - CENTRAL REDUCTION GEAR, CLUTCH
21.155.AA	14	VAR - 758016, 758017, 758018, 758019, 758020, 758021 - CENTRAL REDUCTION GEAR, CLUTCH
21.155.AA	15	VAR - 758016, 758017, 758018, 758019, 758020, 758021 - CENTRAL REDUCTION GEAR, SHIM
21.155.AA	16	VAR - 758016, 758017, 758018, 758019, 758020, 758021 - CENTRAL REDUCTION GEAR, CLUTCH, GEAR, REVERSER
21.155.AA	17	VAR - 758016, 758017, 758018, 758019, 758020, 758021 - CENTRAL REDUCTION GEAR, CLUTCH, REVERSER
21.155.AN	01	VAR - 758016, 758017 - TRANSMISSION, INPUT SHAFT, FULL POWERSHIFT
21.155.AN	02	VAR - 758018, 758019, 758020, 758021 - TRANSMISSION, INPUT SHAFT, FULL POWERSHIFT (50 KM/H)
21.160.AK		VAR - 758011, 758013, 758015, 758017, 758019, 758021 - CREEPER, CONTROL LEVER
21.160.AL		VAR - 758011, 758013, 758015, 758017, 758019, 758021 - CREEPER, GEAR
21.160.AP		VAR - 758011, 758013, 758015, 758017, 758019, 758021 - CREEPER, CONTROL LEVER
21.505.AG		VAR - 391138, 758022 - TRANSMISSION, GEARSHIFT, CVT
21.506.AI	01	VAR - 391136, 758011, 758012, 758013, 758014, 758015 - TRANSMISSION, INLINE
21.506.AI	02	VAR - 758016, 758017, 758018, 758019, 758020, 758021 - TRANSMISSION, INLINE
21.900.AA	01	VAR - 391155, 758037, 758038, 758039, 758040, 758041, 758042, 758043, 758044 - HYDRAULIC PUMP, DRIVEN GEAR, POWERSHIFT
21.900.AA	02	VAR - 391155, 758037, 758038, 758039, 758040, 758041, 758042, 758043, 758044 - HYDRAULIC PUMP, DRIVEN GEAR, SHIM

---

## TABLE OF CONTENTS

---

23.314.AB	01	VAR - 391136, 758011, 758012, 758013, 758014, 758015, 758016, 758017, 758018, 758019, 758020, 758021 - DRIVE HYDRAULIC CLUTCH, POWERSHIFT
23.314.AB	02	VAR - 391158, 758052, 758053 - DRIVE HYDRAULIC CLUTCH, COVER, POWERSHIFT
23.314.AB	03	VAR - 391136, 758011, 758012, 758013, 758014, 758015, 758016, 758017, 758018, 758019, 758020, 758021 - DRIVE HYDRAULIC CLUTCH, HUB, POWERSHIFT
23.314.AB	04	VAR - 391136, 758011, 758012, 758013, 758014, 758015, 758016, 758017, 758018, 758019, 758020, 758021 - DRIVE HYDRAULIC CLUTCH, SHIM, POWERSHIFT
23.314.AB	05	VAR - 391136, 758011, 758012, 758013, 758014, 758015, 758016, 758017, 758018, 758019, 758020, 758021 - DRIVE HYDRAULIC CLUTCH, SHIM, POWERSHIFT
23.314.AB	06	VAR - 391136 - 758011, 758012, 758013, 758014, 758015, 758016, 758017, 758018, 758019, 758020, 758021 - PROPELLER SHAFT, POWERSHIFT
23.314.AB	07	VAR - 391213, 758205 - PROPELLER SHAFT
23.314.AB	08	VAR. - 758205 - 4WD PROPELLER SHAFT STD
23.314.AF	02	VAR - 391213 - SHAFT, SUPPORT
23.314.AF	03	VAR - 391213 - SHAFT, SUPPORT
23.314.AF	04	VAR - 391213 - SHAFT, SUPPORT
23.314.AH	01	VAR - 391213 - 4WD FRONT AXLE, DRIVE SHAFT
25.000.00	01	SECTION INDEX - FRONT AXLE SYSTEM
25.000.00	02	SECTION INDEX - FRONT AXLE SYSTEM
25.000.00	03	SECTION INDEX - FRONT AXLE SYSTEM
25.000.00	04	SECTION INDEX - FRONT AXLE SYSTEM
25.000.00	05	SECTION INDEX - FRONT AXLE SYSTEM
25.000.00	06	SECTION INDEX - FRONT AXLE SYSTEM
25.100.AA	01	VAR - 391156 - 4WD FRONT AXLE
25.100.AA	02	VAR - 758045 - FRONT AXLE, SUSPENDED
25.100.AA	03	VAR - 758046 - FRONT AXLE, SUSPENDED W/BRAKES
25.100.AA	04	VAR - 758047 - SUPERSTEER FRONT AXLE
25.100.AD	01	VAR - 391156 - 4WD FRONT AXLE, HOUSING
25.100.AD	02	VAR - 758045 - FRONT AXLE, SUSPENDED, HOUSING
25.100.AD	03	VAR - 758046 - FRONT AXLE, SUSPENDED W/BRAKES, HOUSING
25.100.AD	04	VAR - 758047 - SUPERSTEER FRONT AXLE, HOUSING
25.100.AI		VAR - 758047 - SUPERSTEER FRONT AXLE, ARTICULATION, SUPPORT
25.100.AV	01	VAR - 391156 - FRONT AXLE SUPPORT, AXLE, STANDARD
25.100.AV	02	VAR - 758045, 758046 - SUSPENDED FRONT AXLE, FRONT AXLE SUPPORT
25.100.AV	03	VAR - 758047 - FRONT AXLE SUPPORT, SUPERSTEER FRONT AXLE
25.100.AV	04	VAR - 391156 - FRONT AXLE SUPPORT, TRUNNION
25.100.AV	05	VAR - 758045, 758046 - FRONT AXLE SUPPORT
25.100.AV	06	VAR - 758047 - FRONT AXLE SUPPORT, TRUNNION
25.100.AV	08	VAR - 391172, 758094, 758095, 758096, 758097, 758098 - FRONT AXLE SUPPORT, PLATE
25.100.AV	09	VAR - 758088, 758089, 758090, 758091, 758092, 758093 - FRONT AXLE SUPPORT, 4WD FRONT AXLE

---

## TABLE OF CONTENTS

---

25.100.AV	10	VAR - 758088, 758089, 758090, 758091, 758092, 758093 - FRONT AXLE SUPPORT, SUSPENDED
25.100.AV	11	FRONT AXLE SUPPORT, PLATE
25.100.AV	12	VAR - 758091, 758093, 758245, 758247 - FRONT AXLE SUPPORT, PLATE
25.100.BL	01	VAR - 758045, 758046 - FRONT AXLE, SUSPENDED, ARM
25.100.BL	02	VAR - 758045, 758046 - FRONT AXLE, SUSPENDED, ARM, COMPONENTS
25.102.AB	01	VAR - 391156 - 4WD FRONT AXLE, BEVEL PINION
25.102.AB	02	VAR - 758045 - FRONT AXLE, SUSPENDED, BEVEL PINION
25.102.AB	03	VAR - 758046 - FRONT AXLE, SUSPENDED W/BRAKES, BEVEL PINION
25.102.AB	04	VAR - 758047 - SUPERSTEER FRONT AXLE, BEVEL PINION
25.102.AC	01	VAR - 391156 - 4WD FRONT AXLE, DIFFERENTIAL CARRIER
25.102.AC	02	VAR - 758045 - FRONT AXLE, SUSPENDED, DIFFERENTIAL CARRIER
25.102.AC	03	VAR - 758046 - FRONT AXLE, SUSPENDED W/BRAKES, DIFFERENTIAL CARRIER
25.102.AC	04	VAR - 758047 - SUPERSTEER FRONT AXLE, DIFFERENTIAL CARRIER
25.102.AC	05	VAR - 758047 - SUPERSTEER FRONT AXLE, DIFFERENTIAL CARRIER
25.102.AD	01	VAR - 391156 - 4WD FRONT AXLE, DIFFERENTIAL
25.102.AD	02	VAR - 758045 - FRONT AXLE, SUSPENDED, DIFFERENTIAL
25.102.AD	03	VAR - 758046 - FRONT AXLE, SUSPENDED W/BRAKES, DIFFERENTIAL
25.102.AD	04	VAR - 758047 - SUPERSTEER FRONT AXLE, DIFFERENTIAL
25.102.AT	01	VAR - 391156 - 4WD FRONT AXLE, DIFFERENTIAL LOCK, LINE
25.102.AT	03	VAR - 758045, 758046 - FRONT AXLE, SUSPENDED, DIFFERENTIAL LOCK, LINE
25.102.AT	05	VAR - 758047 - SUPERSTEER FRONT AXLE, DIFFERENTIAL LOCK, LINE
25.108.AA	01	VAR - 391156 - 4WD FRONT AXLE, SHAFT
25.108.AA	02	VAR - 758045 - FRONT AXLE, SUSPENDED, SHAFT
25.108.AA	03	VAR - 758046 - FRONT AXLE, SUSPENDED W/BRAKES, SHAFT
25.108.AA	04	VAR - 758047 - SUPERSTEER FRONT AXLE, SHAFT
25.108.AB	01	VAR - 391156 - 4WD FRONT AXLE, PLANETARY GEAR
25.108.AB	02	VAR - 758045 - FRONT AXLE, SUSPENDED, PLANETARY GEAR
25.108.AB	03	VAR - 758046 - FRONT AXLE, SUSPENDED W/BRAKES, PLANETARY GEAR
25.108.AB	04	VAR - 758047 - SUPERSTEER FRONT AXLE, PLANETARY GEAR
25.108.AC	01	VAR - 391156 - 4WD FRONT AXLE, FINAL DRIVE
25.108.AC	02	VAR - 758045 - FRONT AXLE, SUSPENDED, FINAL DRIVE
25.108.AC	03	VAR - 758046 - FRONT AXLE, SUSPENDED W/BRAKES, FINAL DRIVE
25.108.AC	04	VAR - 758047 - SUPERSTEER FRONT AXLE, FINAL DRIVE
25.108.AG	01	VAR - 391156 - 4WD FRONT AXLE, STEERING KNUCKLE, RH
25.108.AG	02	VAR - 391156 - 4WD FRONT AXLE, STEERING KNUCKLE, LH
25.108.AG	03	VAR - 758045 - FRONT AXLE, SUSPENDED, STEERING KNUCKLE, RH

---

## TABLE OF CONTENTS

---

25.108.AG	04	VAR - 758045 - FRONT AXLE, SUSPENDED, STEERING KNUCKLE, LH
25.108.AG	05	VAR - 758046 - FRONT AXLE, SUSPENDED W/BRAKES, STEERING KNUCKLE, RH
25.108.AG	06	VAR - 758046 - FRONT AXLE, SUSPENDED W/BRAKES, STEERING KNUCKLE, LH
25.108.AG	07	VAR - 758047 - SUPERSTEER FRONT AXLE, STEERING KNUCKLE, RH
25.108.AG	08	VAR - 758047 - SUPERSTEER FRONT AXLE, STEERING KNUCKLE, LH
25.108.AN	01	VAR - 391156 - 4WD FRONT AXLE, WHEEL, HUB
25.108.AN	02	VAR - 758045 - FRONT AXLE, SUSPENSION, WHEEL, HUB
25.108.AN	03	VAR - 758046 - FRONT AXLE, SUSPENSION W/BRAKES, WHEEL, HUB
25.108.AN	04	VAR - 758047 - SUPERSTEER FRONT AXLE, WHEEL, HUB
25.122.AA		VAR - 758045, 758046 - FRONT AXLE, SUSPENDED, CONTROL VALVE, ACCUMULATOR
25.122.AB	01	VAR - 758045, 758046 - FRONT AXLE, SUSPENDED, CYLINDER
25.122.AB	02	VAR - 758045, 758046 - FRONT AXLE, SUSPENDED, CYLINDER, COMPONENTS
25.122.AD		VAR - 758045, 758046 - FRONT AXLE, SUSPENDED, CYLINDER, LINE
25.122.AL		VAR - 758045, 758046 - FRONT AXLE, SUSPENDED, CONTROL VALVE
25.122.AM	01	VAR - 758045, 758046 - FRONT AXLE, SUSPENDED, CONTROL VALVE, LINE, POWERSHIFT
25.122.AM	02	VAR - 758045, 758046 - FRONT AXLE, SUSPENDED, CONTROL VALVE, LINE, POWERSHIFT
25.310.AE	01	VAR - 758052 - DRIVEN GEAR, SHAFT
25.310.AE	02	VAR - 758053 - DRIVEN GEAR, SHAFT
25.310.AE	04	VAR - 758053 - DRIVEN GEAR, SHAFT
25.310.AF	03	VAR - 758052 - DRIVEN GEAR, SHAFT
27.000.00		SECTION INDEX - REAR AXLE SYSTEM
27.100.AB	01	VAR - 391158, 758052, 758053 - TRANSMISSION, SUPPORT, POWERSHIFT
27.100.AB	02	VAR - 391136, 758012, 758014 - TRANSMISSION, SUPPORT, POWERSHIFT
27.100.AB	03	VAR - 758011, 758013, 758015 - TRANSMISSION, SUPPORT, POWERSHIFT
27.100.AB	04	VAR - 758016, 758018, 758020 - TRANSMISSION, SUPPORT, POWERSHIFT
27.100.AB	05	VAR - 758017, 758019, 758021 - TRANSMISSION, SUPPORT, POWERSHIFT
27.106.AA	01	VAR - 391136, 758011, 758011, 758012, 758013, 758014, 758015, 758016, 758017, 758018, 758019, 758020, 758021 - CENTRAL REDUCTION GEAR
27.106.AA	02	VAR. - 391136, 758011, 758011, 758012, 758013, 758014, 758015, 758016, 758017, 758018, 758019, 758020, 758021 - CENTRAL REDUCTION GEAR
27.106.AA	05	VAR. - 391136, 758011, 758011, 758012, 758013, 758014, 758015, 758016, 758017, 758018, 758019, 758020, 758021 - CENTRAL REDUCTION GEAR, SHIM
27.106.AA	06	VAR. - 391136, 758011, 758011, 758012, 758013, 758014, 758015, 758016, 758017, 758018, 758019, 758020, 758021 - CENTRAL REDUCTION GEAR, SHIM
27.106.AA	07	VAR. - 391136, 758011, 758011, 758012, 758013, 758014, 758015, 758016, 758017, 758018, 758019, 758020, 758021 - CENTRAL REDUCTION GEAR, SHIM
27.106.AA	08	VAR. - 391136, 758011, 758011, 758012, 758013, 758014, 758015, 758016, 758017, 758018, 758019, 758020, 758021 - CENTRAL REDUCTION GEAR, SHIM
27.106.AC	01	VAR. - 391158, 758052, 758053 - DIFFERENTIAL GEAR, PINION CARRIER
27.106.AC	02	VAR - 391158, 758052, 758053 - DIFFERENTIAL LOCK, CLUTCH PLATE
27.120.AF	02	VAR - 391158, 758052, 758053 - FINAL DRIVE, GEAR

---

## TABLE OF CONTENTS

---

27.120.AI	01	VAR - 391158, 758052, 758053 - FINAL DRIVE HOUSING, POWERSHIFT
27.120.AR	01	VAR - 758052, 758053 - REAR AXLE, WHEEL HUB
27.120.AR	02	VAR - 332639 - REAR AXLE, WHEEL HUB
27.120.AR	03	VAR - 758052, 758053 - REAR AXLE, WHEEL HUB - D7400
31.000.00	01	SECTION INDEX - IMPLEMENT POWER TAKE OFF
31.000.00	02	SECTION INDEX - IMPLEMENT POWER TAKE OFF
31.000.00	03	SECTION INDEX - IMPLEMENT POWER TAKE OFF
31.000.00	04	SECTION INDEX - IMPLEMENT POWER TAKE OFF
31.101.AB	01	VAR - 391139, 758024 - PTO, LEVER
31.101.AB	02	VAR - 758023 - PTO 540/540E/1000 RPM, GROUND SPEED, PTO, CONTROLS
31.101.AC	01	VAR - 391139 - PTO 540/540E/1000 RPM, CONTROL LEVER
31.101.AC	02	VAR - 758023 - PTO 540/540E/1000 RPM, GROUND SPEED, CONTROL LEVER
31.101.AC	03	VAR - 758024 - PTO 540E/1000/1000E RPM, CONTROL LEVER
31.114.AB	01	VAR - 758031 - PTO, DRIVEN SHAFT
31.114.AD	01	VAR - 758031 - PTO 540/1000 RPM, DRIVE SHAFT, FRONT
31.114.AF	01	VAR - 758031 - PTO, OUTPUT SHAFT
31.114.AH	01	VAR - 758031 - PTO 540/1000 RPM, PTO, HOUSING
31.114.AI	01	VAR - 758031 - PTO CLUTCH
31.114.AJ	01	VAR - 758031 - PTO, BRAKE, PTO, BRAKE
31.114.AO	01	VAR - 758031 - PTO 540/1000 RPM, PTO, SELECTOR
31.116.AB	01	VAR - 391139, 758024 - PTO, DRIVEN SHAFT
31.116.AC	02	VAR - 391139 - PTO 540/540E/1000 RPM, DRIVE SHAFT, FRONT
31.116.AC	05	VAR - 758024 - PTO 540E/1000/1000E RPM, DRIVE SHAFT, FRONT
31.116.AF	01	VAR - 391139, 758024 - PTO, OUTPUT SHAFT
31.116.AG	01	VAR - 391139, 758024 - PTO, HOUSING
31.116.AG	03	VAR - 758104, 758105, 758106, 758109, 758110, 758111, 758112 - PTO, GUARD
31.116.AG	04	VAR - 391173, 758100, 758102, 758103, 758113 - PTO, GUARD
31.116.AG	05	VAR - 391136, 758011, 758012, 758013, 758014, 758015 - PTO, LEVEL, OIL
31.116.AG	06	VAR - 391139, 758016, 758014, 758018, 758019, 758020, 758021 - PTO, LEVEL, OIL
31.116.AG	07	VAR - 758025 - POWER TAKE-OFF (PTO) CASE, WATERPROOF, RUBBER SEAL
31.116.AH	01	VAR - 391139, 758024 - PTO CLUTCH
31.116.AK	02	VAR - 391139 - PTO 540/540E/1000 RPM, PTO, SELECTOR
31.116.AK	05	VAR - 758024 - PTO 540E/1000/1000E RPM, PTO, SELECTOR
31.116.AL	01	VAR - 391136, 391138, 758011, 758016, 758017, 758022 - PTO, SHAFT, REAR
31.116.AL	02	VAR - 758012, 758013, 758014, 758015, 758018, 758019, 758020, 758021 - PTO, SHAFT, REAR
31.116.AL	03	VAR - 758023 - PTO 540/540E/1000 RPM, GROUND SPEED, PTO, SHAFT, REAR

---

## TABLE OF CONTENTS

---

31.116.AP	01	VAR - 391139, 758024 - PTO, BRAKE
31.142.AA	01	VAR - 758091, 758093, 758245, 758247, 758248 - FRONT PTO ASSY, ACTUATOR
31.142.AA	02	VAR - 758091, 758093, 758245, 758247, 758248 - FRONT PTO ASSY, ACTUATOR, COMPONENTS
31.142.AF	01	VAR - 758091, 758093, 758245, 758247 - FRONT PTO ASSY, LINE
31.146.AA	01	VAR - 758091, 758093, 758245, 758247 - FRONT PTO ASSY, DRIVE SHAFT
31.146.AC	01	VAR - 758091, 758093, 758245, 758247, 758248 - FRONT PTO ASSY, HOUSING
31.146.AE	01	VAR - 758091, 758093, 758245, 758247, 758248 - FRONT PTO, CLUTCH
31.146.AE	02	VAR - 758091, 758093, 758245, 758247, 758248 - FRONT PTO, CLUTCH, COMPONENTS
31.146.AI	01	VAR - 758091, 758093, 758245, 758247, 758248 - FRONT PTO ASSY, COVER
31.146.AQ	01	VAR - 758091, 758093, 758245, 758247, 758248 - FRONT PTO ASSY, DROP BOX
31.146.AR	01	VAR - 758091, 758093, 758245, 758247, 758248 - FRONT PTO ASSY, GEARBOX
33.000.00	01	SECTION INDEX - BRAKES & CONTROLS
33.000.00	02	SECTION INDEX - BRAKES & CONTROLS
33.000.00	03	SECTION INDEX - BRAKES & CONTROLS
33.000.00	04	SECTION INDEX - BRAKES & CONTROLS
33.110.AJ	01	VAR - 391147 - HAND BRAKE, LEVER
33.110.AJ	02	VAR - 391147 - HAND BRAKE, LEVER , COMPONENTS
33.110.AJ	03	VAR - 391148, 758034 - HAND BRAKE, LEVER
33.110.AJ	04	VAR - 391148, 758034 - HAND BRAKE, LEVER , COMPONENTS
33.110.AJ	05	VAR - 758240 - HAND BRAKE, TRAILER, BRACKET, ITALY
33.110.AV	01	VAR - 391147 - PARKING BRAKE, DISC
33.110.AV	03	VAR - 758034 - PARKING BRAKE, DISC
33.110.AZ	01	VAR - 391147 - PARKING BRAKE, HOUSING
33.110.AZ	03	VAR - 758034 - PARKING BRAKE, HOUSING
33.110.BA	01	VAR - 391147 - PARKING BRAKE, LEVER
33.110.BA	03	VAR - 758034 - PARKING BRAKE, LEVER
33.202.AK	01	VAR - 391212 - TRANSMISSION, BRAKE DISC
33.202.AK	03	VAR - 758203 - TRANSMISSION, BRAKE DISC
33.202.AN		VAR - 391208, 758266, 758267, 758268, 758269, 758278 - BRAKE FLUID RESERVOIR
33.202.AP	01	VAR - 391136, 758011, 758012, 758013, 758014, 758015 - BRAKE LINE, POWERSHIFT
33.202.AP	02	VAR - 758016, 758017, 758018, 758019, 758020, 758021 - BRAKE LINE, POWERSHIFT
33.202.AR		VAR - 391208, 758266, 758267, 758268, 758269, 758278 - BRAKE CYLINDER
33.202.BN	01	VAR - 391208, 758266, 758267, 758268, 758269 - PARKING BRAKE
33.202.BN	02	VAR - 391208, 758186, 758187, 758278 - PARKING BRAKE
33.202.BO	01	VAR - 391208, 758186, 758187, 758266, 758267, 758268, 758269, 758278 - BRAKE LINE, POWERSHIFT
33.204.AB	01	VAR - 758046 - FRONT AXLE, SUSPENDED, BLEED SCREW

---

## TABLE OF CONTENTS

---

33.204.AD	01	VAR - 758046 - FRONT AXLE, SUSPENDED, BRAKES
33.204.AG	01	VAR - 758046 - FRONT AXLE, SUSPENDED W/BRAKES, BRAKE LINE
33.204.AG	02	VAR - 758046 - FRONT AXLE, SUSPENDED W/BRAKES, BRAKE LINE
33.204.AX		VAR - 758046 - FRONT AXLE, SUSPENDED W/BRAKE, BRAKE VALVE
33.220.AC	01	VAR - 391155 - TRAILER BRAKE, LINE
33.220.AC	02	VAR - 758037, 758039, 758044 - TRAILER BRAKE, LINE, POWERSHIFT
33.220.AC	03	VAR - 391155, 758038, 758039, 758041, 758043 - TRAILER BRAKE, LINE, POWERSHIFT
33.220.AC	04	VAR - 391155, 758037, 758038, 758039, 758040, 758041, 758042, 758043, 758044 - TRAILER BRAKE, LINE, POWERSHIFT
33.220.AC	08	VAR. 758040, 758042 - TRAILER BRAKE VALVE, LINE
33.220.AM	01	VAR - 758037, 758039, 758044 - TRAILER BRAKE VALVE, COMPONENTS
33.220.AM	02	VAR. 758040, 758042 - TRAILER BRAKE VALVE, COMPONENTS
33.220.AM	03	VAR. 758040, 758042 - TRAILER BRAKE VALVE
33.224.AC		VAR - 758038, 758039, 758041, 758042, 758043, 758044 - PNEUMATIC TRAILER BRAKE, AIR TANK, LINE
33.224.AF		VAR - 758038, 758039, 758041, 758042, 758043, 758044 - PNEUMATIC TRAILER BRAKE, AIR TANK
33.224.AG		VAR - 758038, 758039, 758041, 758042, 758043, 758044 - PNEUMATIC TRAILER BRAKE, AIR DRYER
33.224.AH		VAR - 758038, 758039, 758041, 758042, 758043, 758044 - TRAILER BRAKE, COMPRESSOR
33.224.AJ	01	VAR - 758038, 758039, 758041, 758042, 758043, 758044 - TRAILER BRAKE, COMPRESSOR, INLINE
33.224.AJ	02	VAR - 758038, 758039, 758041, 758042, 758043, 758044 - TRAILER BRAKE, COMPRESSOR, DRAIN LINE
33.224.AJ	03	VAR - 758038, 758039, 758041, 758042, 758043, 758044 - TRAILER BRAKE, COMPRESSOR, INLINE
33.224.AL		VAR - 758038, 758039, 758041, 758042, 758043, 758044 - TRAILER BRAKE, COMPRESSOR, BELT
33.224.AM		VAR - 758038, 758039, 758041, 758042, 758043, 758044 - TRAILER BRAKE, COMPRESSOR, LUBRICATION LINE
33.224.AO		VAR - 758038, 758039, 758041, 758042, 758043, 758044 - TRAILER BRAKE, COMPRESSOR, PULLEY
33.224.AQ	01	VAR. 758041, 758042 - TRAILER BRAKE, INLINE
33.224.AQ	02	VAR - 758038, 758039, 758041, 758042, 758043, 758044 - TRAILER BRAKE VALVE, INLINE
33.224.AZ	01	VAR. 758038, 758039 - TRAILER BRAKE VALVE
33.224.AZ	02	VAR. 758038, 758039 - TRAILER BRAKE VALVE
33.224.AZ	03	VAR. 758038, 758039 - TRAILER BRAKE VALVE
33.224.AZ	04	VAR. 758041, 758042 - TRAILER BRAKE VALVE
33.224.AZ	05	VAR. 758041, 758042 - TRAILER BRAKE VALVE
33.224.AZ	06	VAR. 758041, 758042 - TRAILER BRAKE VALVE
33.224.AZ	07	VAR. 758043, 758044 - TRAILER BRAKE VALVE
33.224.AZ	08	VAR. 758043, 758044 - TRAILER BRAKE VALVE
33.224.AZ	09	VAR. 758043, 758044 - TRAILER BRAKE VALVE
33.224.BC		VAR - 758038, 758039, 758041, 758042, 758043, 758044 - PNEUMATIC TRAILER BRAKE, VALVE
35.000.00	01	SECTION INDEX - HYDRAULIC SYSTEMS

---

TABLE OF CONTENTS

---

35.000.00	02	SECTION INDEX - HYDRAULIC SYSTEMS
35.000.00	03	SECTION INDEX - HYDRAULIC SYSTEMS
35.000.00	04	SECTION INDEX - HYDRAULIC SYSTEMS
35.000.00	05	SECTION INDEX - HYDRAULIC SYSTEMS
35.000.00	06	SECTION INDEX - HYDRAULIC SYSTEMS
35.000.00	08	SECTION INDEX - HYDRAULIC SYSTEMS
35.100.AR	01	VAR - 391136, 758011, 758012, 758013, 758014, 758015, 758016, 758017, 758018, 758019, 758020, 758021 - LIFT CYLINDER, LINE
35.100.AR	03	VAR - 391136, 758011, 758012, 758013, 758014, 758015, 758016, 758017, 758018, 758019, 758020, 758021 - LIFT CYLINDER, LINE
35.100.AR	05	VAR - 391136, 758011, 758012, 758013, 758014, 758015, 758016, 758017, 758018, 758019, 758020, 758021 - LIFT CYLINDER, VALVE, COMPONENTS
35.100.AZ	01	VAR - 391155, 758038, 758041, 758043 - PRIORITY VALVE, POWERSHIFT
35.100.AZ	02	VAR - 758037, 758039, 758040, 758042, 758044 - PRIORITY VALVE, POWERSHIFT
35.100.AZ	05	VAR - 391155, 758038, 758041, 758043 - PRIORITY VALVE, COMPONENTS
35.100.BI	01	VAR - 391170, 758071, 758072, 758073, 758074 - LIFT CYLINDER
35.100.BI	02	VAR - 758075, 758076, 758077, 758078, 758079 - LIFT CYLINDER
35.100.BI	05	VAR - 391170, 758071, 758072, 758073, 758074 - LIFT CYLINDER, COMPONENTS
35.100.BI	06	VAR - 758075, 758076, 758077, 758078, 758079 - LIFT CYLINDER, COMPONENTS
35.104.AA	01	VAR - 391155, 758037, 758038, 758039, 758040, 758041, 758042, 758043, 758044 - HYDRAULIC PUMP, POWERSHIFT
35.106.AD	01	VAR - 391155, 758037, 758038, 758039, 758040, 758041, 758042, 758043, 758044 - HYDRAULIC PUMP (45CC CCLS), POWERSHIFT
35.106.AD	05	VAR - 391155, 758037, 758038, 758039, 758040, 758041, 758042, 758043, 758044 - HYDRAULIC PUMP (45CC CCLS), COMPONENTS
35.124.AD	01	VAR - 758071, 758076 - 3 HITCH POINT, HYDRAULIC TOP LINK
35.124.AD	02	VAR - 758072, 758077 - 3 HITCH POINT, HYDRAULIC TOP LINK
35.124.AD	03	VAR - 758072, 758077 - 3 HITCH POINT, HYDRAULIC TOP LINK, COMPONENTS
35.124.AE	01	VAR - 758071, 758076 - 3 HITCH POINT, LINE
35.124.AE	02	VAR - 758072, 758077 - 3 HITCH POINT, LINE
35.124.AJ	01	VAR - 758072, 758077 - 3 HITCH POINT, HYDRAULIC LIFT, ARM
35.124.AJ	02	VAR - 758072, 758077 - 3 HITCH POINT, HYDRAULIC LIFT, ARM, COMPONENTS
35.160.AK		VAR - 758088, 758089, 758090, 758091, 758092, 758093 - 3 POINT HITCH, FRONT, ACCUMULATOR
35.160.AN		VAR - 758088, 758089, 758090, 758092 - 3 POINT HITCH, FRONT, VALVE
35.162.AB	01	VAR - 758088, 758089, 758090, 758091, 758092, 758093 - 3 POINT HITCH, FRONT, CYLINDER
35.162.AB	02	VAR - 758088, 758089, 758090, 758091, 758092, 758093 - 3 POINT HITCH, FRONT, CYLINDER
35.162.AB	03	VAR - 758088, 758089, 758090 - 3 POINT HITCH, FRONT, CYLINDER
35.162.AB	04	VAR - 758092 - 3 POINT HITCH, FRONT, CYLINDER
35.162.AG	01	VAR - 758088, 758089, 758090, 758091, 758092, 758093 - 3 POINT HITCH, FRONT, CYLINDER, LINE
35.162.AG	02	VAR - 758088, 758089, 758090, 758091, 758092, 758093 - 3 POINT HITCH, FRONT, CYLINDER, LINE
35.162.AG	03	VAR - 758088, 758089, 758090, 758091, 758092, 758093 - 3 POINT HITCH, FRONT, CYLINDER, LINE



---

TABLE OF CONTENTS

---

35.162.AG	04	VAR - 758088 - 3 POINT HITCH, FRONT, CYLINDER, LINE
35.162.AG	05	VAR - 758088, 758089, 758090, 758092 - 3 POINT HITCH, FRONT, CYLINDER, LINE
35.162.AG	06	VAR - 758092 - 3 POINT HITCH, FRONT, CYLINDER, LINE
35.162.AG	07	VAR - 758092, 758093 - 3 POINT HITCH, FRONT, CYLINDER, LINE
35.204.AX		VAR - 391164, 391165, 758057, 758058, 758059, 758060 - POWER BEYOND VALVE, COMPONENTS
35.204.BB		VAR - 391163, 391164, 391165, 758050, 758057, 758058, 758059, 758060, 758061 - QUICK COUPLER, COMPONENTS
35.204.BE	01	VAR - 391163 - 2 REMOTE CONTROL VALVE (MHR)
35.204.BE	02	VAR - 391163 - 2 REMOTE CONTROL VALVE (MHR), COMPONENTS
35.204.BE	03	VAR - 758057 - 3 REMOTE CONTROL VALVE (MHR)
35.204.BE	04	VAR - 758057 - 3 REMOTE CONTROL VALVE (MHR), COMPONENTS
35.204.BE	05	VAR - 758057 - 3 REMOTE CONTROL VALVE (MHR W/PB)
35.204.BE	06	VAR - 758057 - 3 REMOTE CONTROL VALVE (MHR W/PB), COMPONENTS
35.204.BE	07	VAR - 758058 - 4 REMOTE CONTROL VALVE (MHR)
35.204.BE	08	VAR - 758058 - 4 REMOTE CONTROL VALVE (MHR), COMPONENTS
35.204.BE	09	VAR - 758058 - 4 REMOTE CONTROL VALVE (MHR W/PB)
35.204.BE	10	VAR - 758058 - 4 REMOTE CONTROL VALVE (MHR W/PB), COMPONENTS
35.204.BE	19	VAR - 391163, 391165, 758057, 758058, 758059, 758060 - CONTROL VALVE SECTION, COMPONENTS
35.204.BE	20	VAR - 391163, 391164, 391165, 758050, 758057, 758058, 758059, 758060 - CONTROL VALVE SECTION, COMPONENTS
35.204.BE	21	VAR - 391163, 391164, 758050, 758057, 758058 - CONTROL VALVE SECTION, COMPONENTS
35.204.BE	22	VAR - 391163, 391164, 758050, 758057, 758058 - CONTROL VALVE SECTION, COMPONENTS
35.204.BE	23	VAR - 391164, 758050, 758057, 758058 - CONTROL VALVE SECTION, COMPONENTS
35.204.BE	25	VAR - 391165, 758059, 758060, 758061 - CONTROL VALVE SECTION, COMPONENTS
35.204.BE	26	VAR - 391165, 758059, 758060, 758061 - CONTROL VALVE SECTION, COMPONENTS
35.204.BE	27	VAR - 758058, 758060 - CONTROL VALVE, COMPONENTS
35.204.BE	28	VAR - 391165, 758058, 758059, 758060, 758061 - REMOTE CONTROL VALVE, BRACKET
35.204.BE	29	VAR - 391155, 758037, 758040 - REMOTE CONTROL VALVE, BRACKET (STOWAGE)
35.204.BE	30	VAR - 391155, 758037, 758040 - REMOTE CONTROL VALVE, BRACKET (STOWAGE)
35.204.BJ	01	VAR - 391136, 758011, 758012, 758013, 758014, 758015, 758016, 758017, 758018, 758019, 758020, 758021 - REMOTE CONTROL VALVE, LINE
35.204.BJ	02	VAR - 758045, 758046, 758064, 758065, 758066 - REMOTE CONTROL VALVE, LINE
35.204.BJ	03	VAR - 391165, 758059, 758060, 758061 - REMOTE CONTROL VALVE, LINE
35.204.BJ	07	VAR - 758058, 758060 - REMOTE CONTROL VALVE, LINE
35.204.BL	01	VAR - 391169 - 2 REMOTE CONTROL VALVE, CONTROL LEVER
35.204.BL	02	VAR - 758057 - 3 REMOTE CONTROL VALVE, CONTROL LEVER
35.204.BL	03	VAR - 758058 - 4 REMOTE CONTROL VALVE, CONTROL LEVER
35.204.BL	04	VAR - 758058 - 4 REMOTE CONTROL VALVE, CONTROL LEVER

---

## TABLE OF CONTENTS

---

35.204.BQ	01	VAR - 391165, 758059 - 3 REMOTE CONTROL VALVE (EHR)
35.204.BQ	02	VAR - 391165, 758059 - 3 REMOTE CONTROL VALVE (EHR), COMPONENTS
35.204.BQ	03	VAR - 391165 - 3 REMOTE CONTROL VALVE (EHR W/PB)
35.204.BQ	04	VAR - 391165 - 3 REMOTE CONTROL VALVE (EHR W/PB), COMPONENTS
35.204.BQ	05	VAR - 758060 - 4 REMOTE CONTROL VALVE (EHR)
35.204.BQ	06	VAR - 758060 - 4 REMOTE CONTROL VALVE (EHR), COMPONENTS
35.204.BQ	07	VAR - 758060 - 4 REMOTE CONTROL VALVE (EHR W/PB)
35.204.BQ	08	VAR - 758060 - 4 REMOTE CONTROL VALVE (EHR W/PB), COMPONENTS
35.204.BS	01	VAR - 381168 - LESS MID MOUNT VALVES
35.204.BS	02	VAR - 758064 - 1 ELECTRONIC MID MOUNTED VALVES
35.204.BS	03	VAR - 758064 - 1 ELECTRONIC MID MOUNTED VALVES, COMPONENTS
35.204.BS	04	VAR - 758064 - 1 ELECTRONIC MID MOUNTED VALVES, LINE
35.204.BS	05	VAR - 758065 - 2 ELECTRONIC MID MOUNTED VALVES
35.204.BS	06	VAR - 758065 - 2 ELECTRONIC MID MOUNTED VALVES, COMPONENTS
35.204.BS	07	VAR - 758065 - 2 ELECTRONIC MID MOUNTED VALVES, LINE
35.204.BS	08	VAR - 758066 - 3 ELECTRONIC MID MOUNTED VALVES
35.204.BS	09	VAR - 758066 - 3 ELECTRONIC MID MOUNTED VALVES, COMPONENTS
35.204.BS	10	VAR - 758066 - 3 ELECTRONIC MID MOUNTED VALVES, LINE
35.204.BS	17	DIRECTION CONTROL VALVE - COMPONENTS
35.204.BS	18	VALVE SUCTION - COMPONENTS
35.204.BW	01	VAR - 391163 - 2 REMOTE CONTROL VALVE, RESERVOIR
35.204.BW	02	VAR - 391164, 391165, 758057, 758059 - 3 REMOTE CONTROL VALVE, RESERVOIR
35.204.BW	03	VAR - 758058, 758060 - 4 REMOTE CONTROL VALVE, RESERVOIR
35.300.AJ	01	VAR - 391155, 758037, 758038, 758039, 758040, 758041, 758042, 758043, 758044 - OIL FILTER, LINE, POWERSHIFT
35.300.AN	01	VAR - 391155, 758037, 758038, 758039, 758040, 758041, 758042, 758043, 758044 - OIL FILTER, POWERSHIFT
35.300.AN	04	VAR - 391158, 758052, 758053 - OIL FILTER, PRIORITY VALVE, POWERSHIFT
35.322.AD	01	VAR - 391136, 758011, 758012, 758013, 758014, 758015, 758016 - LOW PRESSURE, MANIFOLD
35.322.AD	02	VAR - 391136, 758011, 758012, 758013, 758014, 758015, 758016 - LOW PRESSURE, MANIFOLD, COMPONENTS
35.322.AD	03	VAR - 391136, 758011, 758012, 758013, 758014, 758015, 758016 - LOW PRESSURE, MANIFOLD
35.322.AD	04	VAR - 758016, 758017, 758018, 758019, 758020, 758021 - LOW PRESSURE, MANIFOLD
35.322.AD	05	VAR - 758016, 758017, 758018, 758019, 758020, 758021 - LOW PRESSURE, MANIFOLD
35.322.AD	06	VAR - 758016, 758017, 758018, 758019, 758020, 758021 - LOW PRESSURE, MANIFOLD
35.322.AY	01	VAR - 391136, 758011, 758012, 758013, 758014, 758015 - TRANSMISSION, LOW PRESSURE, LINE
35.322.AY	02	VAR - 391136, 758011, 758012, 758013, 758014, 758015 - TRANSMISSION, LOW PRESSURE, LINE
35.322.AY	03	VAR - 391136, 758011, 758012, 758013, 758014, 758015 - TRANSMISSION, LOW PRESSURE, LINE

---

## TABLE OF CONTENTS

---

35.322.AY	04	VAR - 758016, 758017, 758018, 758019, 758020, 758021 - TRANSMISSION, LOW PRESSURE, LINE
35.322.AY	05	VAR - 758016, 758017, 758018, 758019, 758020, 758021 - TRANSMISSION, LOW PRESSURE, LINE
35.322.AY	06	VAR - 758016, 758017, 758018, 758019, 758020, 758021 - TRANSMISSION, LOW PRESSURE, LINE
35.322.AY	07	VAR - 391136, 758011, 758012, 758013, 758014, 758015 - TRANSMISSION, LOW PRESSURE, BRACKET
35.322.AY	08	VAR - 758016, 758017, 758018, 758019, 758020, 758021 - TRANSMISSION, LOW PRESSURE, BRACKET
35.322.AY	09	VAR - 758011, 758013, 758015, 758017, 758019, 758021 - CREEPER, LOW PRESSURE, LINE
35.322.AY	10	VAR - 758012, 758014, 758016, 758018, 758020 - LOW PRESSURE, LINE
35.322.AY	11	VAR - 758046, 758091, 758093, 758245, 758247 - PTO, FRONT, LINE
35.322.AY	12	VAR - 391136, 758011, 758012, 758013, 758014, 758015 - TRANSMISSION, LOW PRESSURE, LINE
35.322.AY	13	VAR - 758016, 758017, 758018, 758019, 758020, 758021 - TRANSMISSION, LOW PRESSURE, LINE
35.322.AY	14	VAR - 758012, 758013, 758014, 758015, 758018, 758019, 758020, 758021 - TRANSMISSION, LOW PRESSURE, LINE
35.322.AY	18	VAR - 758062, 758063 - TRANSMISSION, LOW PRESSURE LINE
35.322.BD	01	VAR - 391136, 758011, 758012, 758013, 758014, 758015, 758016 - LOW PRESSURE, ACCUMULATOR
35.322.BD	02	VAR - 758016, 758017, 758018, 758019, 758020, 758021 - LOW PRESSURE, ACCUMULATOR
35.701.AD		VAR - 758198 - LOADER ARM, FRONT, QUICK COUPLER
37.000.00	01	SECTION INDEX - HITCHES, DRAWBARS AND IMPLEMENT COUPLINGS
37.000.00	02	SECTION INDEX - HITCHES, DRAWBARS AND IMPLEMENT COUPLINGS
37.000.00	03	SECTION INDEX - HITCHES, DRAWBARS AND IMPLEMENT COUPLINGS
37.000.00	04	SECTION INDEX - HITCHES, DRAWBARS AND IMPLEMENT COUPLINGS
37.000.00	05	SECTION INDEX - HITCHES, DRAWBARS AND IMPLEMENT COUPLINGS
37.000.00	06	SECTION INDEX - HITCHES, DRAWBARS AND IMPLEMENT COUPLINGS
37.100.AA	01	VAR - 758100 - DRAWBAR
37.100.AA	02	VAR - 758102 - DRAWBAR
37.100.AA	03	VAR - 758102 - DRAWBAR, COMPONENTS
37.100.AA	04	VAR - 758103 - DRAWBAR
37.100.AA	05	VAR - 758103 - DRAWBAR, COMPONENTS
37.100.AA	06	VAR - 758106, 758110 - DRAWBAR
37.100.AA	07	VAR - 758106, 758110 - DRAWBAR, COMPONENTS
37.100.AA	08	VAR - 758112 - DRAWBAR
37.100.AA	09	VAR - 758112 - DRAWBAR, COMPONENTS
37.100.AF	01	VAR - 758104 - TOW HOOK
37.100.AF	02	VAR - 758104 - TOW HOOK, COMPONENTS
37.100.AF	03	VAR - 758105, 758106 - TOW HOOK
37.100.AF	04	VAR - 758105, 758106 - TOW HOOK, COMPONENTS
37.100.AF	05	VAR - 758109, 758110 - TOW HOOK

**Thanks very much for your reading,  
Want to get more information,  
Please click here, Then get the complete  
manual**

**JustClickHere** 

**NOTE:**

**If there is no response to click on the link above,  
please download the PDF document first, and then  
click on it.**

**Have any questions please write to me:  
[admin@servicemanualperfect.com](mailto:admin@servicemanualperfect.com)**